



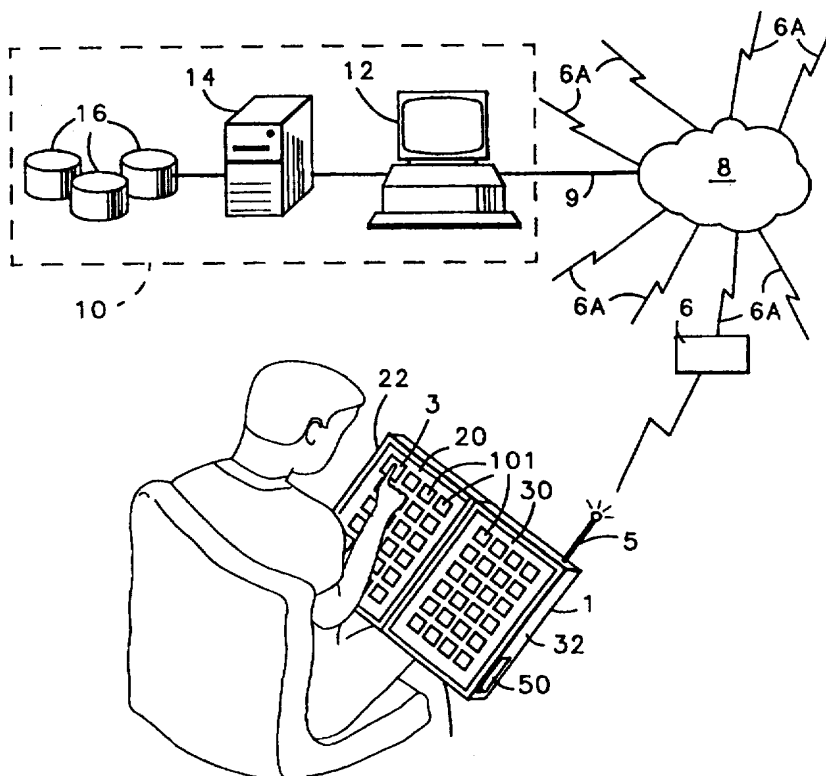
INTERNATIONAL APPLICATION PUBLISHED UNDER THE PATENT COOPERATION TREATY (PCT)

<p>(51) International Patent Classification ⁶ : G06F 15/02</p>	<p>A1</p>	<p>(11) International Publication Number: WO 97/20274 (43) International Publication Date: 5 June 1997 (05.06.97)</p>
<p>(21) International Application Number: PCT/US96/19036 (22) International Filing Date: 29 November 1996 (29.11.96) (30) Priority Data: 08/565,915 1 December 1995 (01.12.95) US (71) Applicant: EVERYBOOK DELAWARE, INC. [US/US]; Munyan, Daniel, E., 103 Springer Building, 3411 Silverside Road, Wilmington, DE 19810 (US). (71)(72) Applicant and Inventor: MUNYAN, Daniel, E. [US/US]; 805 Mt. Gretna Road, Elizabethtown, PA 17022 (US). (74) Agent: CLIFFORD, Earl, F.; Clifford & Clifford, 522 Blue Eagle Avenue, Harrisburg, PA 17112 (US).</p>		<p>(81) Designated States: AL, AM, AT, AU, AZ, BB, BG, BR, BY, CA, CH, CN, CZ, DE, DK, EE, ES, FI, GB, GE, HU, IL, IS, JP, KE, KG, KP, KR, KZ, LK, LR, LS, LT, LU, LV, MD, MG, MK, MN, MW, MX, NO, NZ, PL, PT, RO, RU, SD, SE, SG, SI, SK, TJ, TM, TR, TT, UA, UG, UZ, VN, ARIPO patent (KE, LS, MW, SD, SZ, UG), Eurasian patent (AM, AZ, BY, KG, KZ, MD, RU, TJ, TM), European patent (AT, BE, CH, DE, DK, ES, FI, FR, GB, GR, IE, IT, LU, MC, NL, PT, SE), OAPI patent (BF, BJ, CF, CG, CI, CM, GA, GN, ML, MR, NE, SN, TD, TG).</p> <p>Published <i>With international search report. Before the expiration of the time limit for amending the claims and to be republished in the event of the receipt of amendments.</i></p>

(54) Title: PERSONAL ELECTRONIC BOOK SYSTEM

(57) Abstract

The personal Electronic Book System invention replaces a standard handheld book with an electronic equivalent. The invention is sized and configured to be book size and to open like a book for use. When opened, the user sees two facing page-like touch-sensitive, display screens with black print on white background. Icons represent the electronically stored material, "artwork, audio clips, books, E-mail, faxes, games, magazines, movies, musical compositions, newspapers, photographs, software, video clips, etc.", which are selected by touching the icon. When a book, magazine, newspaper, or the like is selected, its table of contents is displayed and the user can then read page by page or go directly to a particular page by touching the selection listed in the table of contents. Closing the Personal Electronic Book automatically shuts down the device. Touching a page number before closing the Personal Electronic Book inserts a bookmark so that when the Personal Electronic Book is re-opened, the user is returned to the same page. New printed or multimedia material can be downloaded from a remote server, that is, "a bookstore", and old material, books read, etc., can be deleted to make room for the new material.



FOR THE PURPOSES OF INFORMATION ONLY

Codes used to identify States party to the PCT on the front pages of pamphlets publishing international applications under the PCT.

AM	Armenia	GB	United Kingdom	MW	Malawi
AT	Austria	GE	Georgia	MX	Mexico
AU	Australia	GN	Guinea	NE	Niger
BB	Barbados	GR	Greece	NL	Netherlands
BE	Belgium	HU	Hungary	NO	Norway
BF	Burkina Faso	IE	Ireland	NZ	New Zealand
BG	Bulgaria	IT	Italy	PL	Poland
BJ	Benin	JP	Japan	PT	Portugal
BR	Brazil	KE	Kenya	RO	Romania
BY	Belarus	KG	Kyrgystan	RU	Russian Federation
CA	Canada	KP	Democratic People's Republic of Korea	SD	Sudan
CF	Central African Republic	KR	Republic of Korea	SE	Sweden
CG	Congo	KZ	Kazakhstan	SG	Singapore
CH	Switzerland	LI	Liechtenstein	SI	Slovenia
CI	Côte d'Ivoire	LK	Sri Lanka	SK	Slovakia
CM	Cameroon	LR	Liberia	SN	Senegal
CN	China	LT	Lithuania	SZ	Swaziland
CS	Czechoslovakia	LU	Luxembourg	TD	Chad
CZ	Czech Republic	LV	Latvia	TG	Togo
DE	Germany	MC	Monaco	TJ	Tajikistan
DK	Denmark	MD	Republic of Moldova	TT	Trinidad and Tobago
EE	Estonia	MG	Madagascar	UA	Ukraine
ES	Spain	ML	Mali	UG	Uganda
FI	Finland	MN	Mongolia	US	United States of America
FR	France	MR	Mauritania	UZ	Uzbekistan
GA	Gabon			VN	Viet Nam

PERSONAL ELECTRONIC BOOK SYSTEMInventor: **Daniel E. Munyan**

5

TECHNICAL FIELD

The present invention relates to information and multimedia storage and display systems and specifically to paperless books, personal electronic books, personal electronic communicators and readers, personal electronic message communicators, personal electronic facsimile communicators, on-line computer database communicators, and downloadable computer database products such as artwork, audio clips, books, E-mail, faxes, games, magazines, movies, musical compositions, newspapers, photographs, software and video clips.

15

BACKGROUND ART

Vast amounts of printed material are widely distributed in the form of printed books, magazines and newspapers. These traditional media are printed on paper with a page printed on each side of the paper so that when reading a book, magazine or newspaper, two pages of printed material are exposed to the reader. These printed materials consume vast quantities of paper and also shipping resources to transport them to bookstores or newsstands for sale to the ultimate consumer, to libraries or to warehouses for storage. In recent years, virtually all commercially printed media are printed from computer-based databases and yet these same databases are only slowly becoming available to users of personal computers (PC). Even with the availability of book-like material displayed in page format on the PC, consumers have shown a very low acceptance level to reading from a computer screen. Readers want to hold and cradle the item they are reading, view entire pages at once, and look down at their reading material.

20

Newspapers and magazines spend about 100 million dollars a year producing electronic editions of their publications. More than 120 newspapers currently offer electronic editions. Dozens of magazines covering a diversity of subjects are available in electronic editions. The Wall Street Journal reported that an April, 1995 survey of 650 newspapers indicated that 12 percent of these are already offering on-line electronic editions and that 40 more newspapers expect to offer electronic editions by the end of 1995. A major deficiency of electronic editions of newspapers and magazines is that these editions typically bear little resemblance to the printed publications especially in terms of graphics, page layout and typography.

30

With the accessibility and ready availability of the PC, accessing information stored in computer databases and in multimedia formats has transcended the computer mainframe and has been popularized in various media now available to the PC. As yet, this information and multimedia explosion has failed to deliver a personal, dedicated electronic device that is as easy to use or even as desirable to use as the common book,

35

printed on paper and bound in a soft or hard cover. The present invention provides a personal, portable electronic book that overcomes these deficiencies.

The prior art which may be relevant to this invention is described hereinafter.

5

U.S. Pat No. 3,718,906 to Lightner discloses a method and apparatus for a computer controlled host to transmit customer selected sound (or video) recordings stored on constantly running endless master tapes over AT&T's picturephone telephone lines to remote vending machines where the sound recordings are recorded onto cassettes and delivered to the customer. This disclosure describes dialing into a remote computer-controlled storage facility and ordering the transmission of stored information such as sound or video recordings to a remote device where the information is duplicated onto a tape cassette and paid for by the customer.

10

U.S. Pat No. 4,159,417 to Rubincam discloses a portable, battery powered electronic viewer that reads and displays data stored in a holographic memory card. The memory can be page oriented so that each hologram represents a page in a book and the entire book can be stored on one card. An alternative embodiment provides a book-sized container hinged like a book so that 2 opposing displays can be read in a manner similar to the reading of a book. The device incorporates controls for controlling pagination, for adjusting the speed of leafing through the book and for displaying and entering page numbers. This disclosure describes facing displays mounted in a hinged book-sized device with plug-in memory card storage for a single book and functions that provide page control.

15

20

U.S. Pat No. 4,545,023 to Mizzi discloses a handheld, battery-powered computer comprising various electronic cards and a flat touchscreen. The touchscreen eliminates the need for a keyboard or other input keypads. The screen can display alphanumeric characters and graphics. Any area touched on the screen is identified by its coordinates. The device can be connected to a remote host computer via an acoustic coupler and a telephone line. The device can be adapted for particular uses such as hand-writing recognition or TV or radio receiving by plugging in special purpose electronic cards. This disclosure describes a battery-powered, handheld computer that uses a large, flat touchscreen display to replace a mechanical keyboard and that has the facilities to communicate with a remote host over telephone lines.

25

30

U.S. Pat No. 4,649,499 to Sutton et al. discloses computer programs designed to emulate a three dimensional object such as a rotary card file or a hand calculator on a computer touchscreen. Functions are performed by touching appropriate symbols on the touchscreen; for example, a knob to rotate the cards, a tab label to select and view a card, plus softkeys to perform other functions on the cards. An emulation that puts up a functional calculator touchscreen display is also disclosed. This disclosure describes the interaction between a touchscreen and the operation of a computer and software to present a display of information with softkey areas that are used to provide user control of the associated information or function.

35

U.S. Pat No. 4,682,161 to Bugg discloses a video display terminal connected via a modem over a telephone line to a remote source for the purpose of acquiring and transmitting information. This disclosure describes the logic circuits used to transfer digital codes to the terminal so that the data can be displayed on a raster scan display device in either normal or enlarged character size. This disclosure describes communicating over a telephone line via modem and transferring data to be displayed on a screen.

U.S. Pat No. 4,855,725 to Fernandez discloses a simulated book that uses a battery-powered microprocessor with ROM for the program and RAM storage for data and a large LCD screen to display up to 2 pages of information transmitted from a CD-ROM equipped PC over an attached infrared transceiver to a transceiver incorporated into the simulated book. The book uses a touchscreen to display the data and to control paging through the material. The device automatically requests additional pages of information to be transmitted from the PC for storage in the book. The book can be taken with you for latter reading. Data storage is maintained by a battery powered RAM. An alternative version disclosed includes a keypad and a tactile pad switch for inputting requests for a particular page or to page forward or backward. The book displays a single page at a time with the program automatically requesting pages of information to be transmitted from the PC to the book on the fly as the user reads or pages through the book.

U.S. Pat No. 4,918,632 to York discloses a battery-powered, portable touchscreen computer designed with a multitude of holes along one edge so that the computer can be transported in a 3-ring binder or the like.

U.S. Pat No. 5,031,119 to Dulaney et al. discloses a handheld, keyboardless computer with a split liquid crystal display (LCD) screen, the top half of the screen displays an application and the bottom half displays a keyboard. A glass overlay with an electrically-conductive coating interacts with an electrically conductive pen so that the user can input keystrokes on the bottom half of the screen or use the pen to perform mouse-like functions on the top half.

U.S. Pat No. 5,109,354 to Yamashita et al. discloses a portable pocketbook device comprising a touchscreen or pressure sensitive LCD display, a cursor, function keys and an on/off switch that is activated when the pocketbook device is opened. A hinged binding contains a battery pack and rings to hold expansion cards. A back cover contains the electronics and a power source. Multiple methods of communicating between the expansion cards and the pocketbook include fiber optics, LED links and electromagnetic induction along the rings. The screen can be touch sensitive or the unit can be setup with a pressure sensitive screen for hand writing recognition. The expansion cards provide the capability of adding and removing a plurality of databases.

U.S. Pat No. 5,339,091 to Yamazaki et al. discloses a portable electronic book comprised of a LCD display, keybutton inputs or other external input facilities, an on/off switch activated by opening the cover, a hinged cover, a solar cell in the cover to power the unit, a connector for an external power source and a disk drive to read information from optical or floppy disks. Other memory devices could include magnetic tape and

EPROMS. The screen incorporates pressure or photo sensors so the user can select and emphasize portions of the text for latter recall.

5 U.S. Pat No. 5,379,057 to Clough et al. discloses a portable, self-contained general-purpose, keyboardless computer that uses a touchscreen display for data entry. The touchscreen is superimposed over a color-graphics LCD-type display. The computer includes memory to store a data collection application and libraries of possible user responses for display in text or pictogram form. The user then touches the area displaying the text or pictogram to select the proper response. The disclosed computer is battery or AC powered and equipped with a serial I/O communications port for connecting to a modem or for other serial
10 communications to a host computer. The portable computer communicates with the host computer to download selected applications and associated libraries. The user can also enter information to identify the user and to personalize the database created.

15 Great Britain Patent No. GB 2,149,544A to Crossland et al. discloses an electronic book that can display a page of text or illustrations and can increase type size for easier reading by the partially sighted. This device comprises a LCD-type matrix display, a memory unit that holds the material to be displayed, a telecommunications port, a microprocessor controller and a battery power supply and charger. The display has a black on white contrast approaching that of print on paper. Data storage can be a microcassette mounted on the back of the display unit, a cartridge or disk that plugs into the back of the book or an external source. The
20 telecommunications port provides the capability to download materials from a central database such as an electronic newspaper or service repair information. User functions include page forward and backward, search for a specific page number, fast rewind, browse forward or backward, split screen for a simultaneous 2-page display and word search. The current page of information can be held in RAM to serve as a bookmark feature.

25 PCT International Patent No. WO 87/01481 to Stein discloses a portable device in the shape of a book that reads data via a laser from a credit card sized data card or from other storage media. This electronic book has opposing displays, a card reader from which textual information is transferred onto the display screens, 2 pages at a time, and a battery or AC power source. The device also incorporates user controls to advance or reverse paginate through the book, go to the first page of the book and an automatic bookmark feature. Opening
30 and closing the hinged cover can turn the displays on and off.

The present invention overcomes many of the drawbacks and deficiencies of prior art storage and display devices by providing an easy-to-use, book-like, portable, personal, electronic reader with facing page display capabilities, the capability to display pages in their native printed format and downloadable storage
35 capabilities.

DISCLOSURE OF INVENTION

The Personal Electronic Book System invention replaces a standard handheld book with an electronic equivalent. The invention is sized and configured to be book size, to open like a book for use, to display facing pages of printed material in their original "as printed" format, and to have the look and feel of a printed book.

5

A principle object of the present invention is to provide a portable electronic device that stores and displays many publications within a single unit.

Another object of the present invention is to provide easy and timely accessibility to new publications, new editions and periodicals at a cost less than the printed equivalent.

10

Still another object of the present invention is to provide an environmentally-friendly paperless means for storing, displaying and reading conventionally printed materials.

15

A further object of the present invention is to reduce inventory, distribution and printing costs for publishers.

Another object of the present invention is to alleviate the dependence on physical media such as printing on paper for every copy of a publication.

20

Yet another object of the present invention is to provide publishers a device incorporating a full-page display that allows original printed text, graphics and advertising to be presented in their original page layout and format.

25

Still another object of the present invention is to provide a dedicated reader manufactured from highly-reliable solid state components and with only a few simple mechanical components.

Another object of the present invention is to provide an electronic device that can automatically access an on-line database service, automatically download selections from this database, and then store these downloaded selections for later display by a user.

30

Still another object of the present invention is to provide a reusable device that can be used to read and display an unlimited number of printed or multimedia products.

35

A further object of the present invention is to provide the simplicity of the look and feel of a printed book while allowing access to a large database of printed and multimedia products.

Another object of the present invention is to provide a revolving collection of paperless books that requires only a small amount of physical storage space.

5 Yet another object of the present invention is to provide a system for distributing printed and multimedia products to consumers.

10 Still another object of the present invention is to provide a system whereby printed and multimedia products can be made available to users while producing a relatively small number of original products or copies.

Another object of the present invention is to provide a multimedia information storage, transmission and display system that will replace presently existing books, magazines, newspapers, microfilm, computer printouts and other printed media.

15 Yet another object of the present invention is to provide a display device that would be immediately accepted by a very large number of people especially those with limited or little exposure or training on computers.

20 Other objects and advantages will be apparent from the following description of the invention, and the novel features of the invention will be particularly pointed out hereinafter in the claims.

BRIEF DESCRIPTION OF DRAWINGS

The invention is illustrated in the accompanying drawings in which:

FIG. 1 is a pictorial view showing the elements of the Personal Electronic Book System.

FIG. 2 shows a front pictorial view of the Personal Electronic Book in the open position with facing
5 display screens.

FIG. 3 shows a block diagram of the electronics used in a Personal Electronic Book.

MODES FOR CARRYING OUT THE INVENTION

The Personal Electronic Book System invention replaces a standard handheld book with an electronic equivalent. The invention is sized and configured to be book size and to open like a book for use. When opened, the user sees two facing page-like touch-sensitive, display screens with black print on a white background. Icons represent the electronically stored material and user-selectable functions. When a book, magazine, newspaper, or the like is selected, its table of contents is displayed and the user can then read page by page or go directly to a particular page by touching the page number of the desired selection as listed in the table of contents. Closing the Personal Electronic Book automatically shuts down the device. Additional "printed" or multimedia material can be downloaded from a remote server, that is, a "bookstore," and old material, books read, etc., can be deleted to make room for the new material. The only input to the Personal Electronic Book invention is via the touch-sensitive display screens and the communications link established with the on-line bookstore.

A Personal Electronic Book System comprises a plurality of Personal Electronic Books **1** of FIG. **1** or **1A** of FIG. **2**, a plurality of communication links **6** and **6A** of FIG. **1**, a Public Switched Telephone Network (PSTN) **8** of FIG. **1**, and an on-line bookstore **10** of FIG. **1**. The on-line bookstore comprises:

- a plurality of telephone lines **9** of FIG. **1** from the PSTN to the bookstore **10** of FIG. **1**;
- a computer telephony means of connecting, interfacing and answering incoming calls on these telephones lines such as a telephone answering system **12** of FIG. **1**, a PSTN gateway, an information on-demand answering system, or the like;
- a processing means for handling user requests and downloading page composition formatted publications (electronic books, magazines, newspapers, journals and the like) and multimedia products such means comprising a server **14** of FIG. **1**, a host computer, or the like; and
- a storage means for storing the page composition formatted information and multimedia products such means comprising a plurality of database storage devices **16** of FIG. **1**.

The Personal Electronic Book **1** of FIG. **1** or **1A** of FIG. **2** comprises two abutting touch-sensitive display screens **20** and **30** mounted on a pair of peripherally framed, book-shaped, rectangular cases **22** and **32**, hinged together so as to open and close in the manner of a printed book, electronic processing means, a communication means, an updateable memory storage means, an internal power unit **342** of FIG. **3** with battery and software means, all configured into a handheld, portable unit. This Personal Electronic Book further comprises:

- a left touchscreen display **20** of FIG. **1** and **2**;
- a right touchscreen display **30** of FIG. **1** and **2**;
- a left book-shaped, rectangular, front case **22** of FIG. **1** and **2** onto which the left touchscreen display **20** is mounted and retained by a left frame **24** of FIG. **2**;
- a right book-shaped, rectangular, back case **32** of FIG. **1** and **2** onto which the right touchscreen display **30** is mounted and retained by a left frame **34** of FIG. **2**;

• the communication means to link the Personal Electronic Book to the PSTN such as an internal cellular modem/telephone 5 of FIG. 1, an internal high-speed data modem with a RJ-11 telephone jack 5A of FIG. 2, or the like;

• the updateable memory storage means to store publications of page composited and formatted information (electronic books, magazines, newspapers, journals, and the like), data, user information, multimedia products, and the like, such means comprising a slot 50 of FIG. 1 mounted in the back case for inserting a memory card such as a PCMCIA memory card, or a slot 60 of FIG. 2 mounted in the back case for inserting a removable memory device such as a high-density hard drive, bubble memory, flash memory, or the like, or a plurality of slots mounted in the front and/or rear cases for inserting a plurality of memory storage devices, or the like;

• a connector means to interface an AC adapter/charger device such as the jack 40 of FIG. 2 or an AC adapter/charger jack 340 of FIG. 3;

• a hinge means to mechanically connect the right side of the front case 22 to the left side of the back case 32 as shown at 70 of FIG. 2 so that when the Personal Electronic Book is opened the left and right touchscreen displays abut and present an appearance similar to that of an open printed book;

• the electronic processing means to control and monitor the operations of the Personal Electronic Book in accordance with user requests and under software control, said means comprising touchscreen controllers 322 and 332 of FIG. 3 and a display controller 370 of FIG. 3, a microcomputer system 380 of FIG. 3 with random access memory (RAM), a security circuit 385 of FIG. 3, and a power unit 342 of FIG. 3;

• the internal power unit 342 of FIG. 3 comprises an internal battery or a plurality of internal batteries and power and charging circuits that interface to an AC adapter/charger unit; and

• the software means comprises a proprietary operating system embedded in a solid-state device, the BIOS ROM, said software means controlling all the functions of the Personal Electronic Book.

To use the Personal Electronic Book, a user opens the Personal Electronic Book in the same fashion as opening a printed book. This action automatically applies power to the unit and displays facing pages of icons 101 of FIG. 1. Each icon represents a product that has been downloaded to the Personal Electronic Book from the bookstore, preloaded products such as a dictionary, thesaurus, and/or a world atlas, or a function that the user can invoke such as establishing communications with the bookstore. These icons represent the various stored products by displaying graphical/textual images such as a cover page for a printed product such as a book, magazine, newspaper or the like, or a graphical/textual image representative of the various multimedia products available such as an audio or video clip. Alternative embodiments incorporate a user identification code and/or password that must be entered before the Personal Electronic Book can be used.

A bookstore icon 3 of FIG. 1 is provided to automatically initiate and establish communications with the remote bookstore's database library and services. When the user touches this icon 3 of FIG. 1, the Personal Electronic Book requests the user to enter a user identification code and/or a password that will uniquely identify the user to the bookstore and then the Personal Electronic Book uses the build-in communications means to

automatically dial out over a telephone link 6 and 6A of FIG. 1 to access the remote on-line bookstore via the PSTN 8. This user identification code and/or password can be the same code or password used to initially activate the Personal Electronic Book functions when said code or password is enabled. An alternative embodiment uses a user identification code encoded into a particular Personal Electronic Book when the unit is procured and then
5 only request the user's password for access.

The communications means built into the Personal Electronic Book comprises a cellular modem/telephone 5 of FIG. 1 that communicates with the PSTN 8 via two-way wireless radio waves to a local telephone office or receiving station, thus eliminating the need for a hard-wired connection; or a data modem
10 with RJ-11 telephone jack, or the like, which is connected via a telephone cable to your telephone line and then to the local telephone office; or any modem/telephone interface device that can establish a communications link with the PSTN.

Having established a communications link to the bookstore 10, the bookstore displays a welcome
15 screen and the various libraries you can access or services available; such as a public domain library, an English language bookstore, a foreign languages bookstore, a multimedia bookstore, and subscription services, or the like. Upon entering a bookstore or selecting a service, the product selections can be displayed on your Personal Electronic Book in a multitude of formats.

20 One such display format is to simulate a bookstore arrangement such as by placing periodicals and newspapers in one section of the display screen such as along the sides of the screen, on-sale items or specials in another section such as across the bottom of the screen, and books and/or other products that may be offered by subject, author, title or other classification in yet another section of the screen. The user touches the various
25 icons or touchscreen sections to bring a particular group of products to the front of the screen, browses through the available products by touching the different items so as to get a description of the product and its price, and then selects the item or items to be downloaded to the Personal Electronic Book. The user confirms their selection by touching a confirmation icon, the items selected are downloaded to the Personal Electronic Book, stored in the updateable ROM storage device, the user's account is billed for the items delivered, and the
30 Personal Electronic Book automatically terminates communications with the bookstore. The Personal Electronic Book then displays icons for any new items along with the icons for other items already stored in .

All items currently stored in the Personal Electronic Book are represented by icons displayed on the facing touchscreen display screens (pages) 101 of FIG. 1 or by textual lists organized by user preference, such as
35 alphabetical, by author, etc. Any item stored in the Personal Electronic Book is accessed by touching its icon or the corresponding item on the list of textual items. Typically, when printed material is accessed, it is displayed as two facing pages with text being displayed in the original fonts and type sizes, black type on a white background, 111 of FIG. 2 or in a color representative of the original publication. Graphics, illustrations,

photographs and the like are displayed in color to the extent that the color of the original can be duplicated by the type of display screen used.

To read printed material, the user touches the icon representing the selection to be read. The selection typically opens to a table of contents. The user pages through the material by touching the right corner of the touchscreen to page ahead or touching the left corner to page backward or by touching a Page Ahead icon (or area on the touchscreen) or a Page Back icon (or area on the touchscreen), respectively. New pages are accessed and displayed in a time span generally about the same or faster than the time required to manually turn the page of a printed book, magazine or newspaper. When open to the table of contents page, the user can touch the page number of any chapter or section listed to immediately go to that page. When the user finishes reading, the user can place a bookmark at their current page by touching the page number and then closing the Personal Electronic Book. Otherwise the user merely closes the Personal Electronic Book to turn it off. When the Personal Electronic Book is next opened, if a bookmark was placed, the Personal Electronic Book automatically displays the page so marked and the user can continue to read from the place they stopped. Otherwise the Personal Electronic Book displays the icons representing all currently stored products and functions.

When the user is finished with a stored selection, the user can easily delete this selection to make room for more selections to be downloaded from the bookstore. To delete a selection, the user merely touches a delete icon, touches the icon for the selection to be deleted or touches the item when presented in a textual list and then touches a confirmation icon. The Personal Electronic Book then deletes the selection and thus frees up memory storage.

Instead of deleting selections, the user can save downloaded selections to a memory card and then swap memory cards by removing the memory card currently installed in slot 50 or 60 and then inserting another memory card in its place. In this fashion, the user can build a personal library of their favorite publications and/or multimedia products.

Alternative embodiments of the Personal Electronic Book include enhancements such as touch selecting passages of material and then storing these selections for latter recall, using a stylus or a touch keyboard to create margin notes that can be saved and then retrieved with the annotated document, or entering information into forms, said information then be stored for latter display, retrieval or transmittal to the on-line bookstore or to a printer. Information can also be selected from various documents and saved to a user created document. The information in this document can be rearranged by the user, annotated, modified and saved for the user's personal, educational or business use.

35

Embodiments of the Personal Electronic Book incorporating handwritten or handprinted note capability further comprise handwriting recognition software incorporated into the proprietary operating system. User input via one of the touchscreens is analyzed and converted into digital characters that are displayed for

confirmation, a keyboard, or the like, can be displayed to enter corrections and then the annotation saved upon user command. Alternatively, Graphical software capabilities are added to the proprietary operating system that interprets the user's handwriting as a graphical image, stores this graphical image, and the displays this image along with the annotated document or in a user-created document.

5

A list function icon appears on the outside corner of each page. This icon enables a user to select another stored selection and go directly to this selection. For example, touching the list icon on the left corner could display a list of books stored while touching the right corner list icon could display a list of magazines available. These lists can be displayed in alphabetical order by title, by author or by subject. The user could access and display a different book, magazine or the like by selecting the item from the list.

10

The bookstore **10** is an on-line, electronic archive of multimedia products and electronic page composition formatted publications (electronic books, magazines, newspapers, journals and the like) encoded and stored so that when displayed on the Personal Electronic Book these publications maintain the same visual format as printed material. These materials are downloading via the PSTN to a communications means integral to the Personal Electronic Book. Users can display, browse, select, buy (a license to display and use the downloaded products on an Personal Electronic Book), download selections to their Personal Electronic Book and then display and view or read printed selections or run the multimedia products. Downloaded selections are sent in compressed formatted, stored in the Personal Electronic Book and then automatically decompressed.

15

20

The printed media bookstore libraries typically comprise a public domain library of selections, an English language bookstore, a foreign languages bookstore, and a subscription section. The user can browse and search any bookstore or section for a desired subject, title, author or publication. Once an item is found, the user can obtain descriptive information about the item and determine its price by touching a price icon. The user then "buys" the item and simultaneously confirms that this item is to be downloaded to the user's Personal Electronic Book by touching the price icon a second time. The bookstore automatically downloads the selection in compressed format to the user's Personal Electronic Book. A downloaded publication can include the publication, the covers and any overleaves. Once downloaded, new icons graphically representing the additional materials stored in the Personal Electronic Book updateable memory storage device are displayed or listed in addition to the material previously stored and not yet deleted.

25

30

In an alternative embodiment, bookstore selections can be immediately downloaded or the user can schedule a later time for downloading. For later downloading, the user touches a Download Later icon and then enters the date and time for downloading by touching and adjusting a date and time display presented by the Personal Electronic Book. The Personal Electronic Book then programs or presets this dialup time along with an identification sequence for the item or items to be downloaded into its microcomputer system. The user leaves their Personal Electronic Book connected to a dial-up telephone line via the internal cellular telephone **5** or via the hard-wired telephone connection to the telephone jack **5A**, or the like, and at the appointed dialup time, the

35

user's Personal Electronic Book automatically and without user intervention dials up and connects to the bookstore, identifies itself and transmits the identification sequence for the item or items to be downloaded. The bookstore then downloads the requested item(s) to the Personal Electronic Book, the items are stored, and at the completion of the download, the Personal Electronic Book disconnects and turns itself off. This flexibility
5 enables the user to schedule downloading when the Personal Electronic Book is not in active use, during off-peak hours to reduce telephone connect charges, or the like.

When the user accesses the public domain library, only the cost of accessing the bookstore is charged to the user. This cost is displayed in terms of the on-line connect time or an equivalent charge in a message block
10 in a corner of a display screen.

When the user accesses the foreign language bookstore, the selections are displayed in a manner similar to that described for the English-language bookstore. The user first selects a particular foreign language to gain access to the selections available in that language. The user can change the language selected at any time and
15 thus view selections available in other languages.

The bookstore offers a subscription service for Personal Electronic Book users. The user can search for publications based on subject, title, author or publisher or by browsing. When a user subscribes to a particular publication, the bookstore programs a subscription dialup time into the user's Personal Electronic Book that
20 reflects the time that each issue of the subscribed publication becomes available and the time of day that a user wishes to download the subscribed item from the bookstore. The user leaves their Personal Electronic Book connected to a dial-up telephone line via the internal cellular telephone 5 or via the hard-wired telephone connection to the telephone jack 5A, or the like, and at the appointed subscription dialup time, the user's Personal Electronic Book automatically and without user intervention dials up and connects to the bookstore.
25 The bookstore then downloads the subscribed publications to the Personal Electronic Book after which the Personal Electronic Book disconnects and turns itself off. The subscription service includes both English language publications and foreign language publications. The language selection is made in a manner similar to that described for the foreign language bookstore.

30 Alternative embodiments of the Personal Electronic Book incorporate MPEG 1 and MPEG 2 decoders to provide enhanced motion video displays of video clips or animation sequences such as those used in multimedia and other products.

The peripherally framed front case 22 of FIG. 1 and 2 and back case 32 of FIG. 1 and 2 contain all the
35 external connections to the Personal Electronic Book, mount all the electronic and mechanical components including a rechargeable battery and power and charging circuits and provide the mounting platforms for the abutting touch-sensitive display screens. The external connections comprise connectors for connecting to a telephone line and for connecting to an external AC power adapter/charger or to AC line power when the AC

power adapter/charger is incorporated into the Personal Electronic Book electronics. Additional embodiments incorporate a parallel or a serial port for connection to a printer.

5 The front case 22 and back case 32 comprise a formed aluminum construction with integral cold-flow fasteners and seam welded corner fabrication to provide structural strength and integral electromagnetic interference (EMI) shielding. Machined plastic material comprising the main enclosure shell assemblies with component mounting supports affixed to the inside surfaces are used to mount the internal components of the Personal Electronic Book. This formed aluminum construction is only one of many construction usable; for example: a machined PVC housing, EMI shielding coating on the inside surfaces, and other construction
10 variations are employable.

The peripherally framed cases are joined by a hinge means that enable the cases to be opened and closed like a printed book. The hinge means may comprise a plurality of barrel hinges, for example two to four, a mylar plastic sheet hinge, or the like, that allow the cases to open a full 180 degrees and allow the screens to
15 abut. The Personal Electronic Book cases comprise a front cover case and a back cover case, said front and back cover cases hinged together in a manner that allows relative moment between a closed position in which said cover cases face one another in the manner of the covers of a closed book and an open position in which said cover cases are separated from one another in the manner of an open book.

20 The Personal Electronic Book can be bound in leather, fabric, vinyl, neoprene or other book binding material to simulate the look and feel of a printed book.

Each touchscreen display screen 20 and 30 of FIG. 1 and 2 is mounted on the upper, inside surface of each case. Each touchscreen display screen extends virtually over the entire face of each case and are
25 electrically connected to the other circuits and components of the Personal Electronic Book. Each touchscreen display screen comprises:

- a display such as a liquid crystal display (LCD) type screen or an active matrix display type screen that employs an array of addressable transistors such as thin-film transistors (TFT) or the like, wherein each color dot or pixel is activated by a group of three transistors, one each for red, green and blue;
 - a touch-sensitive transparent plate that covers said screen and is further comprised of resistive touch, capacitive touch, infrared beam touch, or the like, technology.
- 30

Although a VGA 640 by 480 pixel resolution LCD or active matrix display provides acceptable detail for text and for some graphics, the preferred display for text, graphics, photographs, video, motion-video clips, and the like, has at least a super VGA 800 by 600 pixel resolution and at least 256 colors.
35

A typical touchscreen is the thin film transparent plate using resistive touch technology manufactured by Dynapro Corporation. The touch-sensitive transparent plate used in the Personal Electronic Book is typically

less than 0.01 inch in thickness. A flexible flat cable is typically used to connect the touch-sensitive transparent plate to its touchscreen controller; although other connections methods are also employable.

The touch-sensitive plate contains a matrix of touch-sensitive areas over its entire surface. The outlines of these areas can be programmed to be recognized to coincide with graphics or other information displayed on the underlying display screen. Various icons, windows, lists of textual items, instructions, functions or even a keyboard can be simulated using the underlying display screen and the touch-sensitive plate thus creating an easy-to-use, user-friendly interface for initiating and establishing communications with the on-line bookstore, for selecting selections stored in the bookstore for downloading or selections stored in the Personal Electronic Book's updateable memory storage device, for user identification, for electronic conversations, for information searches, or the like.

Various keyboard configurations can be displayed on a single touchscreen display, on part of a touchscreen display, across both touchscreen displays, or portions thereof.

A series of predefined touchscreen areas with underlying icons or softkeys provide the user interface for inputting instructions, for making selections, and for other input from the user. By touching these areas, the user can enter instructions and requests into the Personal Electronic Book. For example, the user can initiate communications with the bookstore by touching the bookstore icon 3 of FIG. 1.

Various embodiments of the Personal Electronic Book comprise differing screen and case sizes to suit the needs of the various traditional printed media sizes. Typical size variations comprise:

- an individual Personal Electronic Book for an individual's day-to-day carry-about and casual use with closed dimensions of about 4.5 inches wide by 6 inches high and open dimensions wherein the two screens lie adjacent to each other of about 9 inches wide and 6 inches high.
- a student Personal Electronic Book sized to display the larger sized pages of printed textbooks with closed dimensions of about 9 inches wide by 12 inches high and open dimensions wherein the two screens lie adjacent to each other of about 18 inches wide and 12 inches high.
- a portfolio Personal Electronic Book for applications requiring the display of large amounts of information especially graphics, illustrations, photographs, or the like, on a single screen with closed dimensions of about 12 inches wide by 15 inches high and open dimensions wherein the two screens lie adjacent to each other of about 24 inches wide and 15 inches high.

In all these embodiments, virtually the entire screen is visible and available for display. Each display can be viewed in a portrait configuration for a single page of material per display screen or the abutting screens can be viewed in a landscape configuration to provide viewable material that spans both display screens. A maximum display surface is available for displaying a page of a printed hardback book or a softback book or so called "pocketbook". A typical hardback textbook page is about 6.5 inch wide by 10 inch high. Of this page, a

typical image area is about 5.25 inch wide by 8.5 inch high. A typical softback, pocketbook page is about 4.25 inch wide and 7 inch high. Of this page, a typical image area is about 3.5 inch wide by 6.25 inch high. The various embodiments of the Personal Electronic Book are designed to replace typical softback pocketbooks, hardback books, magazines, and the like.

5

For large books, magazines, newspapers, and like publications, the two screens can be programmed to display printed material over both screen as if they were a single screen, in either landscape or portrait configuration, thus presenting the impression of reading from a single screen resembling one full page of a magazine or newspaper. For example, two screens of about 9 inches wide by 12 inches high can be turned 90 degrees and viewed as a single screen of about 18 inches high and 12 inches wide.

10

The relationship between the touchscreen displays, controllers, electronic processing means, communications means, updateable memory storage means, the power unit and external interfaces are shown in FIG. 3. The microcomputer system 380 provides a central processing unit (CPU) to control all operations of the Personal Electronic Book. This microcomputer system 380 comprises the CPU which is controlled by the proprietary operating system embedded in a solid-state device, the BIOS ROM, and random access memory (RAM) that provides the primary memory space to write, store and retrieve information and program instructions used by the CPU. The microcomputer system 380 comprises a general-purpose microprocessor with supporting circuitry such as a logic board with an Intel 486DX2/66MHz processor or better, or with a Pentium processor; a PowerPC processor with supporting circuitry such as a 100 MHz 603e processor; a RISC (reduced instruction set configuration) chip with supporting circuitry; or the like.

15

20

25

The Personal Electronic Book is powered from the power unit 342 that comprises one or more rechargeable batteries and power and charging circuits. These power and charging circuits control and distribute battery power or converted AC line power to the Personal Electronic Book components, control the charging of the internal battery or batteries when the Personal Electronic Book is connected to an external AC adapter/charger device via the AC adapter/charger jack 340 and controls switchover between battery power and external AC line power when said AC power is available via the AC adapter/charger device.

30

The AC power adapter/charger serves a dual function of interfacing the Personal Electronic Book to the AC power line for recharging the internal battery and also for operating the Personal Electronic Book from the AC power line so as to conserve battery power. An alternative embodiment incorporates an internal AC adapter/charger unit that replaces the AC adapter/charger jack 340 with a connector that accepts an AC power cord for direct connection to AC line power. The rechargeable battery comprises a lithium ion battery, a nickel hydride (NiMH) battery, or the like. The rechargeable battery or batteries will power an Personal Electronic Book for a minimum of 3 hours between recharges, although 5 to 8 hours is typical.

35

When the Personal Electronic Book is opened, power is automatically applied and the microcomputer system 380 automatically loads the proprietary operating system and any prestored settings from previous operations. Typically, the microprocessor system initializes the Personal Electronic Book by displaying the icons for the material stored in the updateable ROM (read only memory) 360 of the memory storage device currently installed in the memory card slot 50 of FIG. 1 or 60 of FIG. 2 and any function icons such as the connect-to-the-bookstore icon. This screen display information is sent from the microcomputer system 380 via display controller 370 to the left touchscreen display 320 and the right touchscreen display 330. The display controller 370 can be a dual-screen graphic controller such as manufactured by Colorgraphic Communications or a separate graphic controller can be provided for each display. Alternatively, the display controller(s) can provide independent, coordinated, or complementary (a single page of material spanning both display screens) display of material across the two display screens.

When the user touches an icon to select and load the desired item or to select a function, such as by touching the bookstore icon 3 of FIG. 1, the touchscreen senses this touch and sends data used to locate the area touched to the left screen controller 322 if the left touchscreen display was touched or to the right touchscreen controller 332 if the right touchscreen display was touched. The touchscreen controller converts the area touched data into coordinate information that is sent to the microcomputer system 380 for processing. Based upon the icon (area) touched, the microcomputer system 380 implements the requested action in accordance with the instructions defined in the proprietary operating system. When the icon touched represents information or products stored in the updateable ROM 360 memory storage device, the microcomputer system 380 accesses this information or product and then displays the information or runs the product.

The updateable ROM 360 memory storage device comprises 500 to 1,000 megabytes or more of memory such as provided by PCMCIA memory storage cards, solid state EEPROMs, flash memory devices, bubble memory, a compact, large-capacity, miniature hard disk drive, or the like. Each embodiment of the Personal Electronic Book has sufficient storage to store several books of textual information in their entirety. The number of publications comprising a combination of text, artwork, photographs and the like and/or multimedia products that can be stored varies depending on the storage requirements of the individual items, the compression techniques used and the amount of memory available in a particular Personal Electronic Book unit.

The communications interface 350 comprises a high-speed modem with a telephone line interface such as provided by an internal data modem connected to a cellular telephone for wireless connection to the PSTN, or an internal data modem connected to a RJ-11 telephone jack and then connected via a telephone wire to a telephone outlet connected to the PSTN, or a PCMCIA slot for a PCMCIA modem that is then connected via a telephone wire to a telephone outlet connected to the PSTN, or the like. Embodiments include a 28.8 or 14.4 K bps internal modem with a telephone line connector, an internal modem directly wired to a retractable standard telephone line terminated with a standard RJ-11 modular telephone jack that the user plugs into a mating telephone line socket, and the like. Modem chip sets for 28.8 K bps are readily available from manufacturers

such as AT&T, Rockwell, U.S. Robotics, and the like. Cellular modems incorporating both data modem functions and cellular telephone functions are available from Motorola Corporation and other manufacturers.

5 A security circuit **385** is incorporated with a unique Personal Electronic Book security identification code that is used in conjunction with the individual owner or user identification code to identify a particular Personal Electronic Book unit to the on-line bookstore, to code each updateable ROM **360** memory storage device to a particular Personal Electronic Book unit so that the data stored in said memory storage device can only be accessed by the Personal Electronic Book unit that downloaded the information or product from the on-line bookstore and to discourage theft of the Personal Electronic Book. The bookstore will terminate
10 communications with an Personal Electronic Book if said user identification code or said security identification code is invalid.

The proprietary operating system controls and manages all operations of the Personal Electronic Book such as accepting user instructions via the user interface (the touchscreen displays), accessing and displaying or
15 running the products stored in the updateable ROM memory storage device, providing book-like functions, automatically accessing, connecting to and downloading products from the on-line bookstore, providing power management to power down the unit after a user-specified time of inactivity, and the like. This operating system can be preloaded onto a BIOS (basic input/output system) chip, preloaded on an EEPROM to facilitate updates to the operating system while the Personal Electronic Book is communicating with the bookstore, or the like.
20

An enhancement to the Personal Electronic Book invention is the addition of a zoom mode to provide large sized text and images for vision-impaired readers. This zoom mode can be limited to a single magnification, several preset magnifications or it can be continuously variable. The zoom mode can enlarge the displayed image up to several hundred percent of the original size. With textual material, the material enlarged
25 is reformatted by changing line endings so that the enlarged text can be read without scrolling left and right across the display screen. With graphical images, a scroll feature incorporating touchscreen scroll directional arrows enable the vision-impaired reader to view enlarged segments of the graphical material and then smoothly scroll to the adjoining segments of the image.

30 Another enhancement of the Personal Electronic Book invention is the incorporation of audio output means such as one or more speakers and/or an earphone jack or external speaker jack, audio/sound processing circuits and software to support the sound capabilities of multimedia products, to support text-to-speech (TTS) synthesis to create spoken output based on stored text, to play audio clips, or the like. The sound processing capabilities comprise circuitry and software to support 16-bit Sound Blaster-compatible audio with MIDI
35 support and wavetable or FM synthesis.

The TTS conversion increases the educational value of the Personal Electronic Book by enabling users to learn a language or to learn to read by listening to spoken text as they visually follow the text displayed on the

Touchscreen. Software enhancements can increase the effectively of the learning experience by “speaking” each word as the user touches the word on the touchscreen display. Additionally, this capability will provide quicker and better access to information for those with impaired sight since they will not have to wait for a “speaking book” edition to be released.

5

Yet another enhancement of the Personal Electronic Book is to provide the capability to send one or more page images or selected passages to a printer to obtain hard copy printout of the selected information. A printer connection is implemented by providing a parallel printer port with associated circuitry and software drivers; or a serial communications port with associated circuitry and software drivers; or an infrared data port with associated circuitry and software drivers to beam pages of information through the air to an infrared equipped printer, or by sending the information via the internal communication means or the Personal Electronic Book to a modem-equipped computer, a facsimile device or a printer equipped with a telephone line interface and modem; or the like.

10

15

Many modifications and variations of the Personal Electronic Book system invention may be made without departing from the scope and spirit of the variations set forth herein. As is apparent from the description of the various embodiments wherein common functional elements are shared, these elements are not to be construed in a limiting sense as applying to only a single embodiment.

20

While only a few embodiments have been illustrated and described, many variations may be made in the design and configuration without departing from the scope of the invention as set forth in the appended claims.

CLAIMS

What I claim is:

1. A Personal Electronic Book System for the storage, transmission, reception and display of electronically stored publications, comprising:
5 a plurality of Personal Electronic Books;
a plurality of communication links:
a Public Switched Telephone Network (PSTN); and
an on-line bookstore;
wherein said Personal Electronic Book comprises two abutting display screens for displaying said
10 publications.
2. A Personal Electronic Book System as claimed in claim 1 wherein said on-line bookstore comprises:
a plurality of telephone lines connecting said PSTN to said bookstore;
a computer telephony means of connecting, interfacing and answering incoming calls on these telephones
15 lines;
a processing means for handling user requests transmitted from said Personal Electronic Books and
downloading said publications; and
a storage means for storing said publications.
- 20 3. A Personal Electronic Book for the reception, storage and display of electronically stored publications,
comprising:
two abutting touch-sensitive display screens;
a pair of rectangular cases upon which said touch-sensitive display screens are mounted;
a hinge means for joining said rectangular cases so that said cases can be opened and closed in the manner
25 of a printed book:
an electronic processing means to control and monitor the operations of said Personal Electronic Book in
accordance with user requests;
a communication means to link said Personal Electronic Book to a PSTN;
an updateable memory storage means to store publications;
30 a software means for controlling all operations of said Personal Electronic Book; and
an internal power unit;
all configured into a handheld, portable unit.
4. A Personal Electronic Book as claimed in claim 3 wherein said abutting touch-sensitive display screens
35 comprise a left touchscreen display and a right touchscreen display.
5. A Personal Electronic Book as claimed in claim 3 wherein said communication means comprise an internal
cellular modem/telephone.

6. A Personal Electronic Book as claimed in claim 3 wherein said communication means comprise an internal high-speed data modem with a telephone jack.
- 5 7. A Personal Electronic Book as claimed in claim 3 wherein said updateable memory storage means comprise a PCMCIA memory card.
8. A Personal Electronic Book as claimed in claim 3 wherein said updateable memory storage means comprise a removable memory device.
- 10 9. A Personal Electronic Book as claimed in claim 3 wherein said hinge means mechanically connect the right side of one of said rectangular cases to the left side of the other said rectangular case so that when said Personal Electronic Book is opened, said touch-sensitive display screens abut and present an appearance similar to that of an open printed book.
- 15 10. A Personal Electronic Book as claimed in claim 3 wherein said electronic processing means comprise:
a left touchscreen controller to control and monitor a left touchscreen of said abutting touch-sensitive display screens;
a right touchscreen controller to control and monitor a right touchscreen of said abutting touch-sensitive display screens;
20 a display controller to control a left display screen and a right display screen of said abutting touch-sensitive display screens;
a microcomputer system;
a security circuit; and
25 a power unit.
11. A Personal Electronic Book as claimed in claim 3 wherein said software means comprise routines:
to automatically display icons representing stored publications on said abutting touch-sensitive display screens whenever said Personal Electronic Book is opened;
30 to access any stored publication when the icon representing said publication is touched;
to display said publication as two facing pages on said abutting touch-sensitive display screens;
to display text in its original fonts, type sizes and color; and
to display black type on a white background.
- 35 12. A Personal Electronic Book as claimed in claim 3 wherein said software means comprise routines:
to access any stored publication when the icon representing said publication is touched;
to open said publication and display its table of contents;
to recognize when a user touches a page number in said table of contents and to go to the selected page and

display said page:

to display a new page of material whenever a user touches a Page Ahead area on a touchscreen;
to display a previous page of material whenever the user touches a Page Back area on a touchscreen;
to bookmark a page when the user touches the page number on said page and then closes said Personal
5 Electronic Book; and
to automatically display said bookmarked page when said Personal Electronic Book is opened.

13. A Personal Electronic Book as claimed in claim 3 wherein said software means comprise routines:
to recognize touch selected passages of information in displayed publications;
10 to store said passages for latter recall;
to store said passages in a user created document;
to display said user created document; and
to recognize user touch selection of passages within said document and to move said passages to a new
location within said document;

14. A Personal Electronic Book as claimed in claim 3 wherein said software means comprise routines:
to recognize user created margin notes;
to tag said notes to the publication and location in said publication annotated;
to save said notes; and
20 to display said notes on the page annotated whenever said publication is displayed.

15. A Personal Electronic Book as claimed in claim 3 wherein said software means comprise routines:
to display a form, said form comprising a plurality of data entry areas;
to recognize user informational entry of data into said data entry areas;
25 to tag said data entries to said form; and
to save said data entries.

16. A Personal Electronic Book as claimed in claim 15 wherein said form with said data entries are transmitted
to a printer to obtain a hardcopy of said form and said data entries.

17. A Personal Electronic Book as claimed in claim 15 wherein said form with said data entries are transmitted
to a an on-line bookstore.

18. A Personal Electronic Book as claimed in claim 3 wherein said software means comprise routines:
35 to recognize user handwritten input on said touch-sensitive display screens;
to display said recognized handwriting;
to accept user corrections to said recognized handwriting; and
to save said recognized handwriting.

19. A Personal Electronic Book as claimed in claim 3 wherein said software means comprise routines:
to detect user handwritten input on said touch-sensitive display screens;
to tag said handwritten input to an annotated publication;
5 to save said handwritten input as a graphic file; and
to display the graphic image of said handwriting whenever said annotated publication is displayed.
20. A Personal Electronic Book System as claimed in claim 1 wherein said on-line bookstore comprises:
an electronic archive of electronic page composition formatted publications;
10 wherein said publications are encoded so that when displayed on said Personal Electronic Book, these
publications maintain the same visual format as printed material.
21. A Personal Electronic Book System as claimed in claim 1 wherein said Personal Electronic Book
comprises routines for unattended downloading of publications, whereby these routines:
15 accept user entry of a date and time for unattended downloading;
at said date and time, automatically dials out and connects to said on-line bookstore via said PSTN;
send a user identification code;
send an identification sequence for the items to be downloaded;
store said downloaded items;
20 recognize the completion of the download;
disconnect said Personal Electronic Book from said on-line bookstore; and
turn off said Personal Electronic Book.
22. A Personal Electronic Book as claimed in claim 3 wherein each of said touch-sensitive display screens
25 extends virtually over the entire face of said rectangular case upon which it is mounted.
23. A Personal Electronic Book as claimed in claim 3 wherein each of said touch-sensitive display screens
comprises:
an active matrix display screen;
30 a touch-sensitive transparent plate that covers said display screen.
24. A Personal Electronic Book as claimed in claim 3 wherein said electronic processing means comprise a
security circuit that contains a unique security identification code.
- 35 25. A Personal Electronic Book as claimed in claim 24 wherein said security circuit codes each updateable
memory storage device to a particular Personal Electronic Book unit so that the data stored in said memory
storage device can only be accessed by said Personal Electronic Book unit.

26. A Personal Electronic Book as claimed in claim 3 wherein said software means comprise routines:
to enlarge a displayed image up to several hundred percent of the original size;
to reformat displayed text by changing line endings so that the enlarged text can be read without scrolling
left and right across the display screen; and
5 to scroll a graphical image using touchscreen scroll directional arrows from one segment of said graphical
image to another.
27. A Personal Electronic Book as claimed in claim 3 further comprising:
software means comprising routines to translate displayed text into speech;
10 audio processing circuits to process said speech; and
audio output means to convert said speech into sound waves;
28. A Personal Electronic Book as claimed in claim 27 further comprising routines to speak each word on a
page as a user touches said word on a touchscreen display.
15
29. A Personal Electronic Book System as claimed in claim 1 wherein said bookstore contains a database with
a plurality of stored electronic multimedia products.
30. A method for requesting a publication, downloading said publication and viewing said publication on the
20 abutting display screens of a Personal Electronic Book, said method comprising:
A. opening said Personal Electronic Book in the same fashion as opening a printed book;
B. touching a bookstore icon to initiate communications with an on-line bookstore;
C. entering a user identification code by touching the appropriate characters on a displayed keyboard;
D. automatically dialing up said bookstore from said Personal Electronic Book and connecting via a public
25 switched telephone network;
E. automatically establishing communications between said Personal Electronic Book and said bookstore;
F. using a security circuit in said Personal Electronic Book to automatically transmit a unique Personal
Electronic Book security identification code to said bookstore;
G. verifying said user identification code and said security identification code by said bookstore
30 H. terminating communications if said user identification code or said security identification code is
invalid;
I. transmitting a welcome screen from said bookstore to said Personal Electronic Book when said codes
are valid;
J. displaying said welcome screen comprised of icons representing a public domain library, an English
35 language bookstore, a foreign languages bookstore, a multimedia bookstore, and subscription services on
said Personal Electronic Book;
K. touching the icon representing the desired category of publications or services desired;
L. transmitting information representing the publication and multimedia product selections and services

available from said bookstore and said Personal Electronic Book receiving and displaying said information;

M. searching by user through publication selections and touching a publication of interest;

N. communicating said selection from said Personal Electronic Book to said bookstore;

O. transmitting a description of selected publication and price information from said bookstore to said

5 Personal Electronic Book where said information is displayed;

P. ordering said selection by user touching a confirmation icon and said Personal Electronic Book transmitting this confirming request to said bookstore;

Q. downloading said selection ordered from said bookstore and said Personal Electronic Book receiving and storing said selected publication in an updateable ROM storage device and automatically terminating

10 communications with said bookstore;

R. displaying an icon representing the newly downloaded publication in addition to icons for other publications and products also stored in said updateable ROM storage device and function icons for controlling the operation of said Personal Electronic Book;

S. touching the icon representing the new publication and the Personal Electronic Book displaying the publication as two facing pages with text being displayed in the original fonts, type sizes and type color;

15

T. paging through the publication by user touching the right corner of the touchscreen to page ahead and touching the left corner to page backward;

U. placing a bookmark at the current page by user touching the page number and closing said Personal Electronic Book.

20

31. A method for selecting a publication stored in an on-line bookstore to be automatically downloaded and stored in an unattended Personal Electronic Book at a later scheduled time, said method comprising the steps claimed in claim 30 steps A through P and further comprising:

A. touching a Download Later icon on the touchscreen display of said Personal Electronic Book;

25

B. entering a date and time for downloading by touching and adjusting the date and time display presented by said Personal Electronic Book;

C. leaving said Personal Electronic Book connected to a telephone line connected to said public switched telephone network;

D. automatically, without user intervention, dialing up and connecting said Personal Electronic Book to the bookstore, said Personal Electronic Book automatically identifying itself and transmitting the identification sequence for the item to be downloaded;

30

E. downloading said publication from said bookstore to said Personal Electronic Book and storing said publication in an updateable ROM storage device;

G. automatically terminating communications between said Personal Electronic Book and said bookstore;

35

H. automatically shutting down said Personal Electronic Book unit.

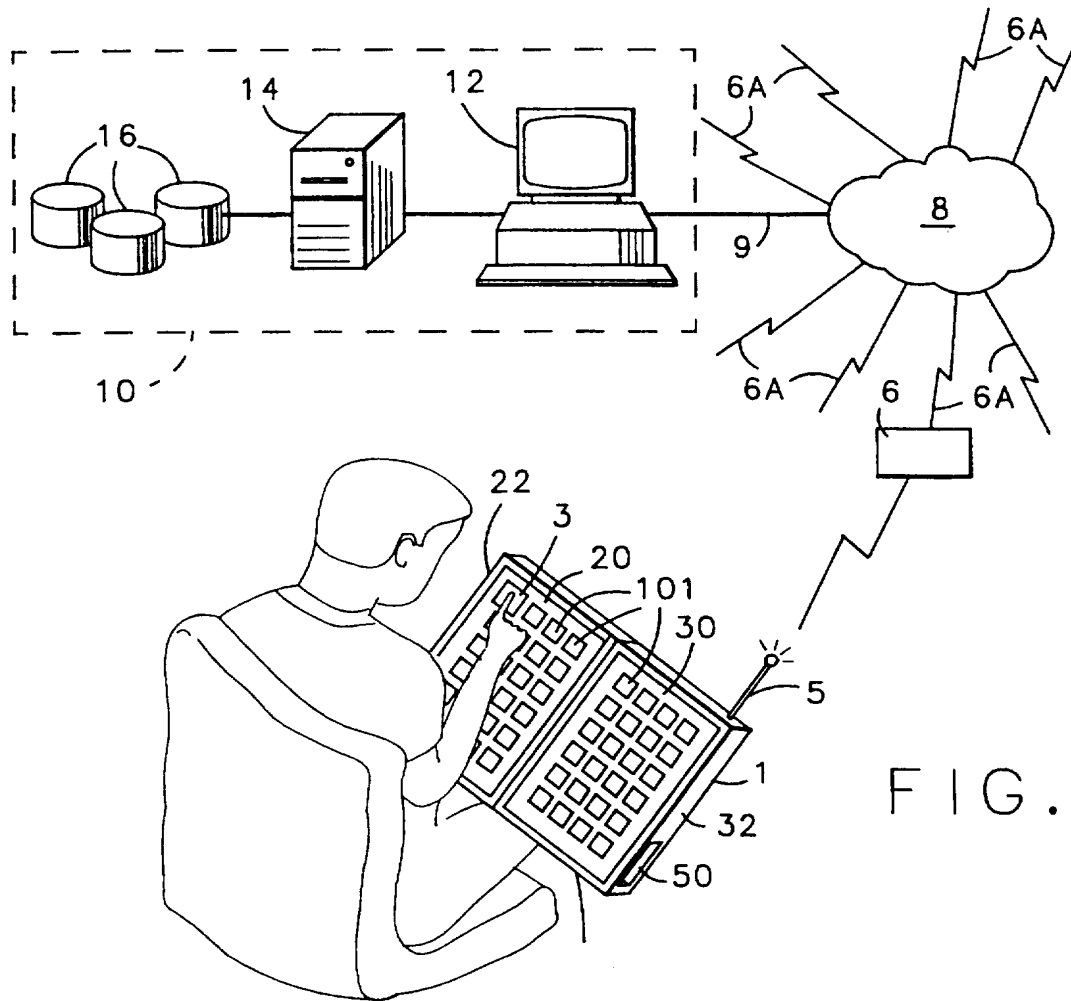


FIG. 1

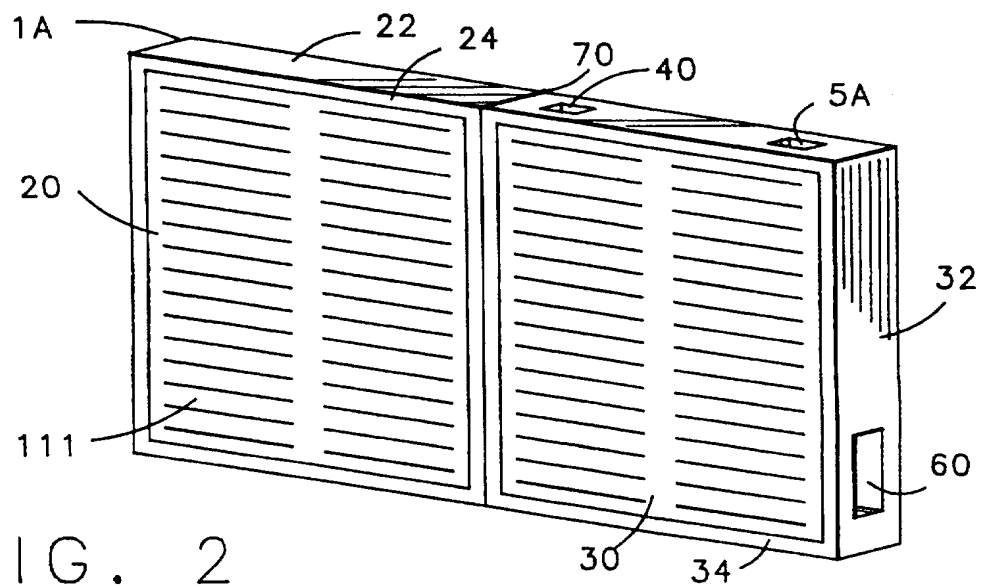


FIG. 2

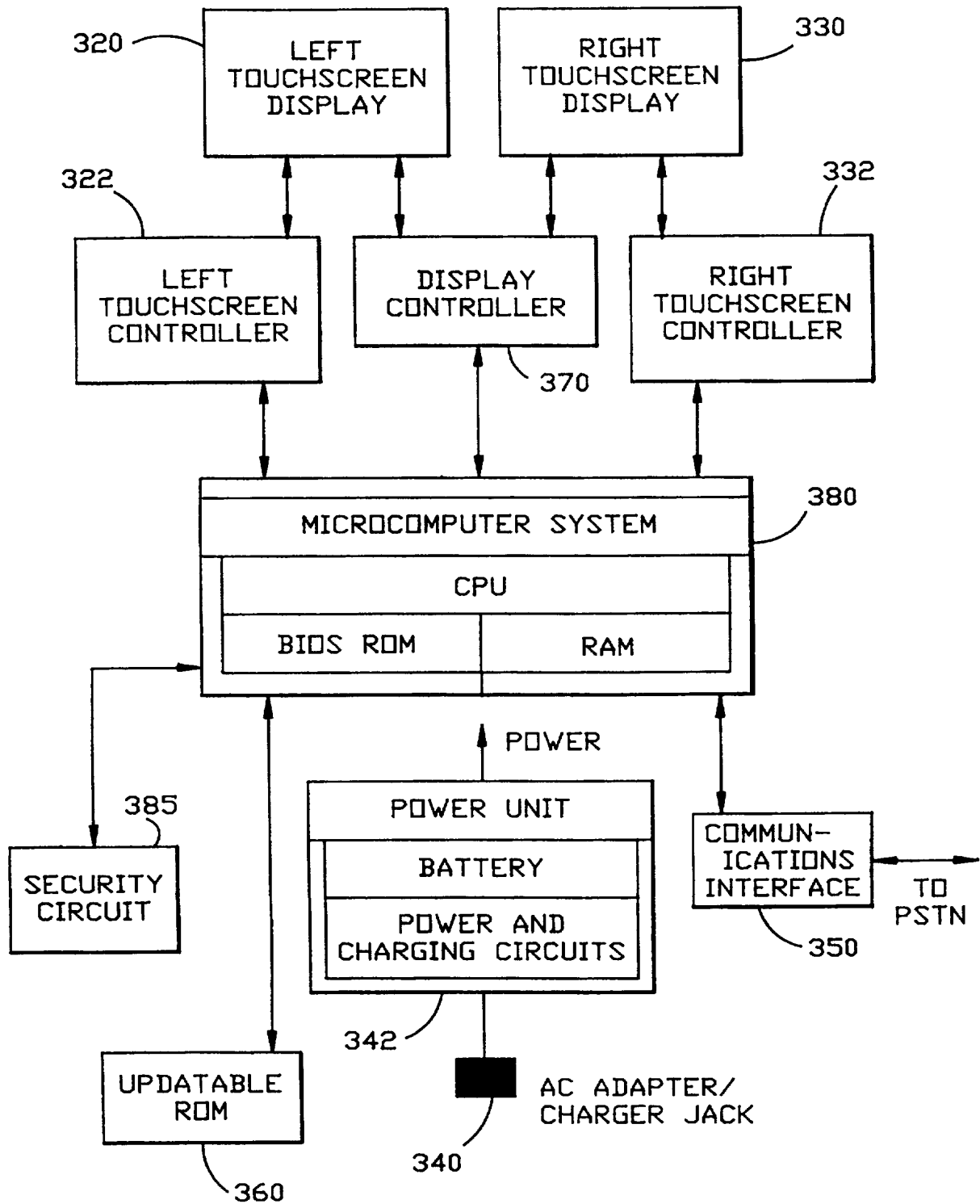


FIG. 3

INTERNATIONAL SEARCH REPORT

International Application No
PCT/US 96/19036

A. CLASSIFICATION OF SUBJECT MATTER
IPC 6 G06F15/02

According to International Patent Classification (IPC) or to both national classification and IPC

B. FIELDS SEARCHED

Minimum documentation searched (classification system followed by classification symbols)
IPC 6 G06F G05B

Documentation searched other than minimum documentation to the extent that such documents are included in the fields searched

Electronic data base consulted during the international search (name of data base and, where practical, search terms used)

C. DOCUMENTS CONSIDERED TO BE RELEVANT

Category *	Citation of document, with indication, where appropriate, of the relevant passages	Relevant to claim No.
X Y	EP 0 390 611 A (HIUKA SANGYO KABUSHIKI KAISHA) 3 October 1990 see page 3, line 4 - page 4, line 5 see page 5, line 1 - line 46 see page 6, line 5 - line 18 see page 7, line 16 - line 48 see claims 1-5; figures 1,9 ---	1-6,8,9, 20-22,24 12,14, 25-27, 30,31
X	FR 2 657 187 A (TECHNICATOME SOCIETE TECHNIQUE POUR L'ENERGIE ATOMIQUE) 19 July 1991 see page 1, line 31 - page 3, line 20 see page 8, line 29 - page 9, line 23 see figures 1A,1B,2 --- -/--	1-3,8,9, 20,22,26

Further documents are listed in the continuation of box C.

Patent family members are listed in annex.

* Special categories of cited documents :

- *A* document defining the general state of the art which is not considered to be of particular relevance
- *E* earlier document but published on or after the international filing date
- *L* document which may throw doubts on priority claim(s) or which is cited to establish the publication date of another citation or other special reason (as specified)
- *O* document referring to an oral disclosure, use, exhibition or other means
- *P* document published prior to the international filing date but later than the priority date claimed

- *T* later document published after the international filing date or priority date and not in conflict with the application but cited to understand the principle or theory underlying the invention
- *X* document of particular relevance; the claimed invention cannot be considered novel or cannot be considered to involve an inventive step when the document is taken alone
- *Y* document of particular relevance; the claimed invention cannot be considered to involve an inventive step when the document is combined with one or more other such documents, such combination being obvious to a person skilled in the art.
- *&* document member of the same patent family

Date of the actual completion of the international search

21 March 1997

Date of mailing of the international search report

1 0. 04. 97

Name and mailing address of the ISA
 European Patent Office, P.B. 5818 Patentlaan 2
 NL - 2280 HV Rijswijk
 Tel. (+ 31-70) 340-2040, Tx. 31 651 epo nl,
 Fax: (+ 31-70) 340-3016

Authorized officer

McDonagh, F

INTERNATIONAL SEARCH REPORT

International Application No

PCT/US 96/19036

C.(Continuation) DOCUMENTS CONSIDERED TO BE RELEVANT		
Category *	Citation of document, with indication, where appropriate, of the relevant passages	Relevant to claim No.
A	<p>WO 89 05023 A (FERNANDEZ) 1 June 1989 see page 4, line 1 - page 6, line 17 see page 9, line 29 - page 10, line 6 see claims 1-6</p> <p style="text-align: center;">---</p>	1-31
Y	<p>FR 2 657 451 A (BARIOU) 26 July 1991</p> <p>see abstract see page 4, line 1 - page 5, line 8 see claims 1-14</p> <p style="text-align: center;">---</p>	14, 25-27, 30,31
Y	<p>WO 87 01481 A (STEIN) 12 March 1987 see abstract see page 10, line 34 - page 11, line 32 see figure 5</p> <p style="text-align: center;">---</p>	12
A	<p>US 5 233 333 A (BORSUK) 3 August 1993 see column 2, line 54 - column 3, line 22 see claims 1,2,7,15,16</p> <p style="text-align: center;">-----</p>	26,27

INTERNATIONAL SEARCH REPORT

Information on patent family members

International Application No
PCT/US 96/19036

Patent document cited in search report	Publication date	Patent family member(s)	Publication date
EP 390611 A	03-10-90	JP 2257364 A US 5239665 A	18-10-90 24-08-93

FR 2657187 A	19-07-91	NONE	

WO 8905023 A	01-06-89	CA 1309508 A EP 0341289 A US 4855725 A	27-10-92 15-11-89 08-08-89

FR 2657451 A	26-07-91	NONE	

WO 8701481 A	12-03-87	AU 6338386 A EP 0235265 A	24-03-87 09-09-87

US 5233333 A	03-08-93	US 5475399 A	12-12-95
